



# **A Hancock Shaker Clock**

*with Charles Neil*

Project Reference Guide

## A Little History

What is typically referred to as the “Hancock Shaker Clock” was actually a series of six “little time pieces” that Br. Isaac Newton Youngs began in February 1840 while a member of the New Lebanon, New York Shaker Village.

The story goes,

In February 1840, Br. Isaac began work on what he called six “little timepieces.” On February 8 he noted in his “clock journal” that he had spent a week “getting out stuff for the cases,” and on the last day of the month he recorded that he had spent most of the month working on the clocks, with much time “taken up on fixing my tools to work with - making a crown wheel buz saw - fixing the engine for swedging out teeth to tin wheels &c. &c.” By May 9, most of the clocks were finished, although he had some work left to do on one that was to include an alarm mechanism. On May 16 he finished that clock and took it to the Second House garret for John Meacham, and on May 28 he took three of the clocks to the Second Order. He tallied up the time it took him for this work thus: “It took me in making these 6 clocks & cases about 382 hours - nearly 64 hours apiece.”<sup>1</sup>

He did not completely finish these clocks, however, until 1847, when he put the finishing touches on clock No. 23, a clock with one hand, which he made for the Second Order Barn. “It has one pointer,” Br. Isaac commented, “but I think it more exemplary for a barn than a full made, first rate clock. It is rather a new idea to have clocks in barns, but they seem to be needful & admisable under suitable restraint.”<sup>2</sup> Five of these clocks still exist today, three in the collection of Hancock Shaker Village, one in a private collection, and one in the Time Museum in Rockford, Illinois.<sup>3</sup>

---

<sup>1</sup> “Journal Kept by Isaac N. Youngs,” Church Family, New Lebanon, N.Y., OC1WHi, Shaker Collection, V B 134-

<sup>2</sup> Isaac Youngs, “A Domestic Journal of Daily Occurrences,” Church Family, New Lebanon, N.Y., N, Shaker Collection, Accession Number 13500.

<sup>3</sup> Grant, Jerry V and Douglas R. Allen. *Shaker Furniture Makers*. Pittsfield, Massachusetts, University Press of New England, Hanover and London, 1989.

## Introduction and Acknowledgments

This clock project is a great weekend project that will give you the opportunity to use many woodworking techniques and is a great project for all skill levels, beginning to professional. The higher the skill, the more refined you can make it. The lower skill level, a beautiful clock piece while learning some woodworking skills.

As you view the videos and read this companion guide, please keep in mind that Charles does not build in precise dimensions but allows his material make the determination. Sometimes a bit larger, sometimes a bit smaller. The material list and rough cut list are guides only. This is your project, adjust according to what materials you have available.

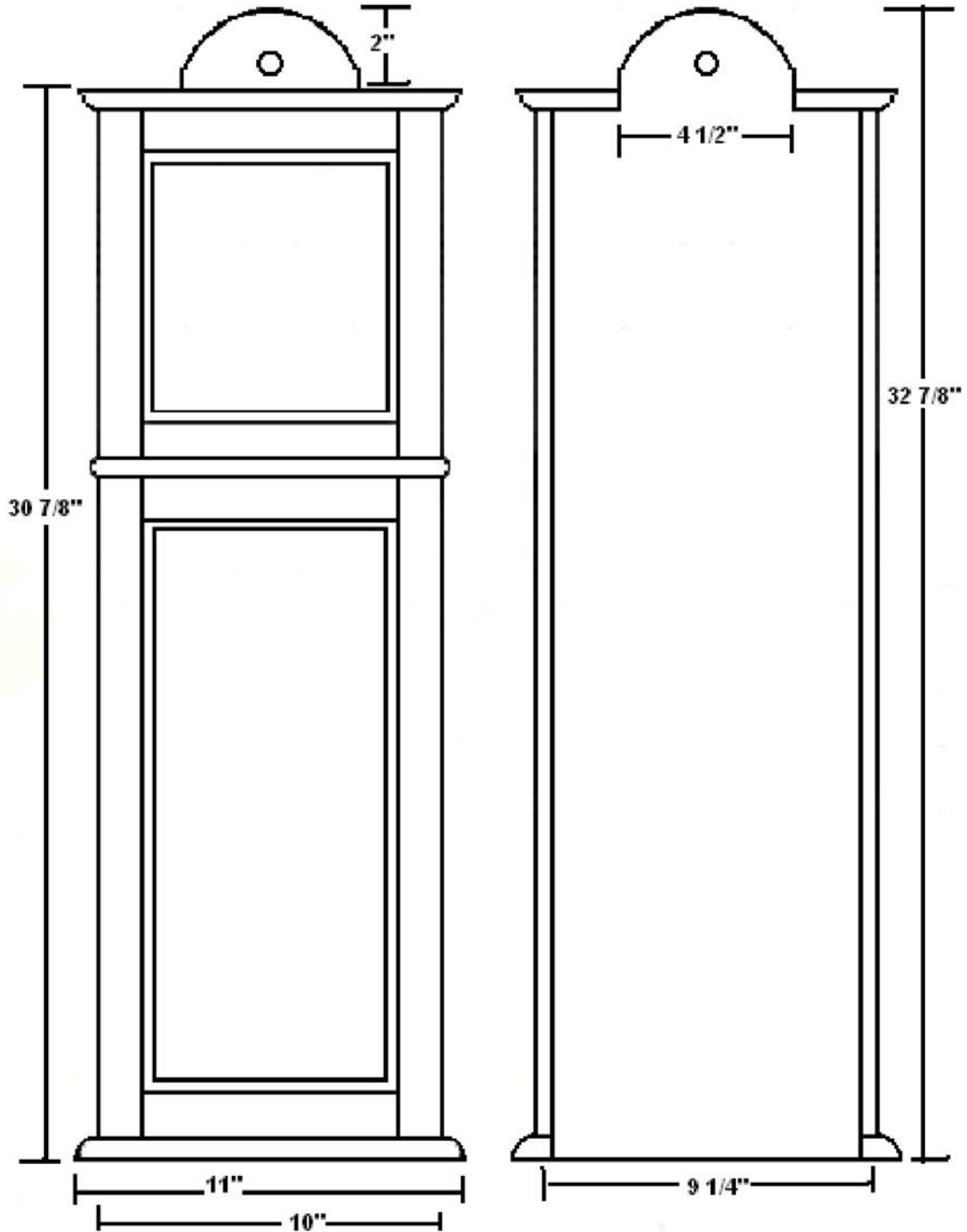
In the video, as with this reference, we try to bring the information to you in a simplistic format so that you too will be successful in making your clock. When your finished, please send a photo via email to [workshopofcharlesneil@msn.com](mailto:workshopofcharlesneil@msn.com) so that we can include it in our gallery on our web site.

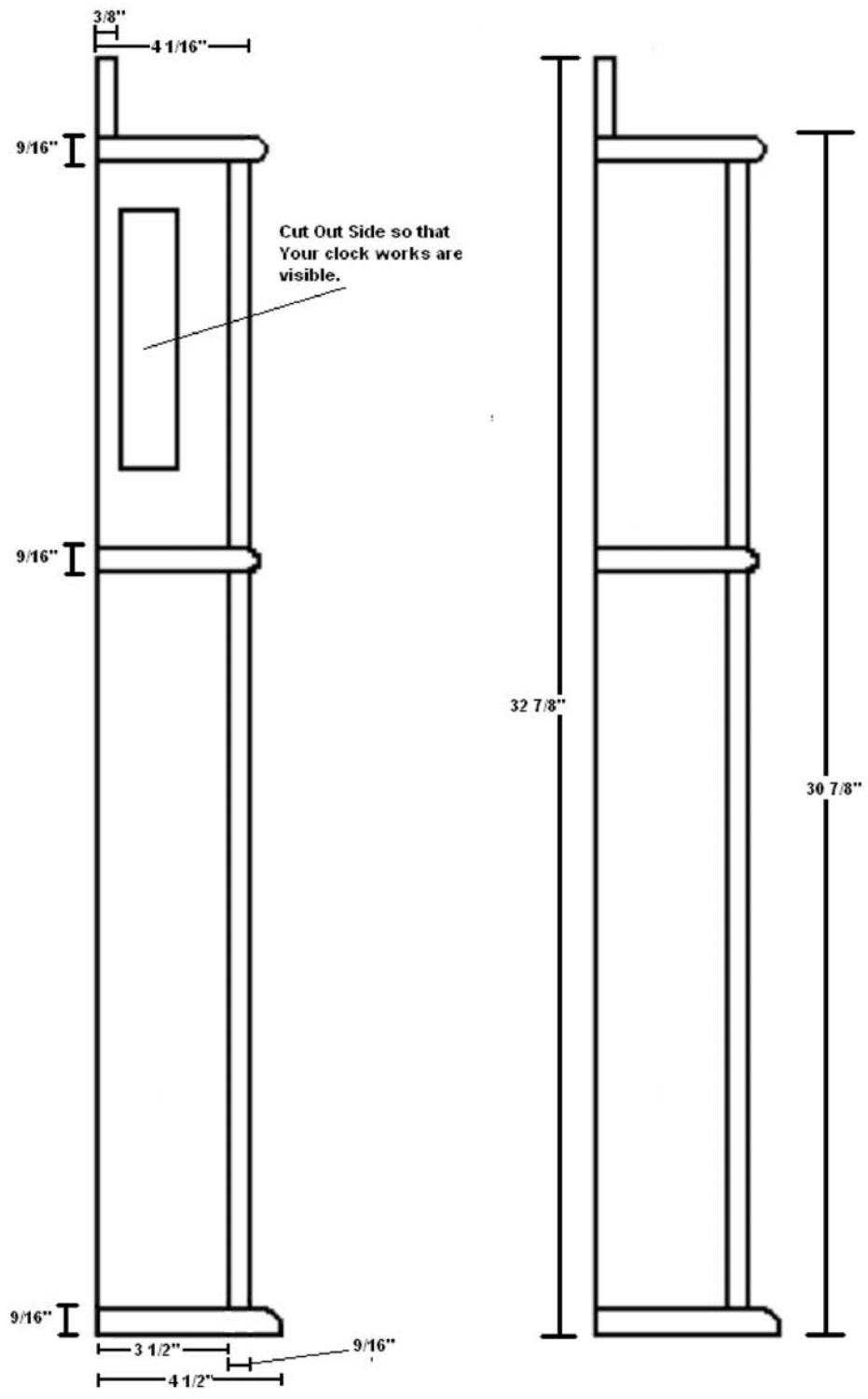
We wish to again thank all of our sponsors for giving us the opportunity to share our woodworking experience with you via our on-line project videos. Please support these sponsors as they are supporting your woodworking education.

- [Lawrence - McFadden \(Bartley Gels\)](#)
  - [Kehoe Jigs](#)
  - [Turbinaire](#)
  - [Waterlox](#)
- [WoodRiver by Woodcraft](#)
  - [Worksharp](#)
- [Eagle America/Price Cutter \(Router Bits\)](#)
  - [Gemini Coatings](#)
  - [General Finishes](#)
  - [Timbermate](#)
  - [Painter's Pyramid](#)
- [WMH Tool Group \(Jet & Powermatic\)](#)
  - [Horton Brasses](#)
    - [Klock-It](#)
  - [Woodpeckers, Inc.](#)
- [Adria High-Quality Hand Tools](#)
  - [Bob Kloes Hardwoods](#)

Special thanks to Bob Kloes who provided the exceptional tiger maple and curly cherry, to Klock-It who provided the mechanical clock works, Horton Brasses who provided hinges and knobs, and Woodcraft who provided clock faces, quartz clock movements, catches and hinges.

The line drawings and dimensions on this page and the next page are for laying out your clock and are not meant to be exact dimensions. Each clock will vary some, these dimensions are from the curly cherry clock in the video and the side cut-out from the tiger maple clock.



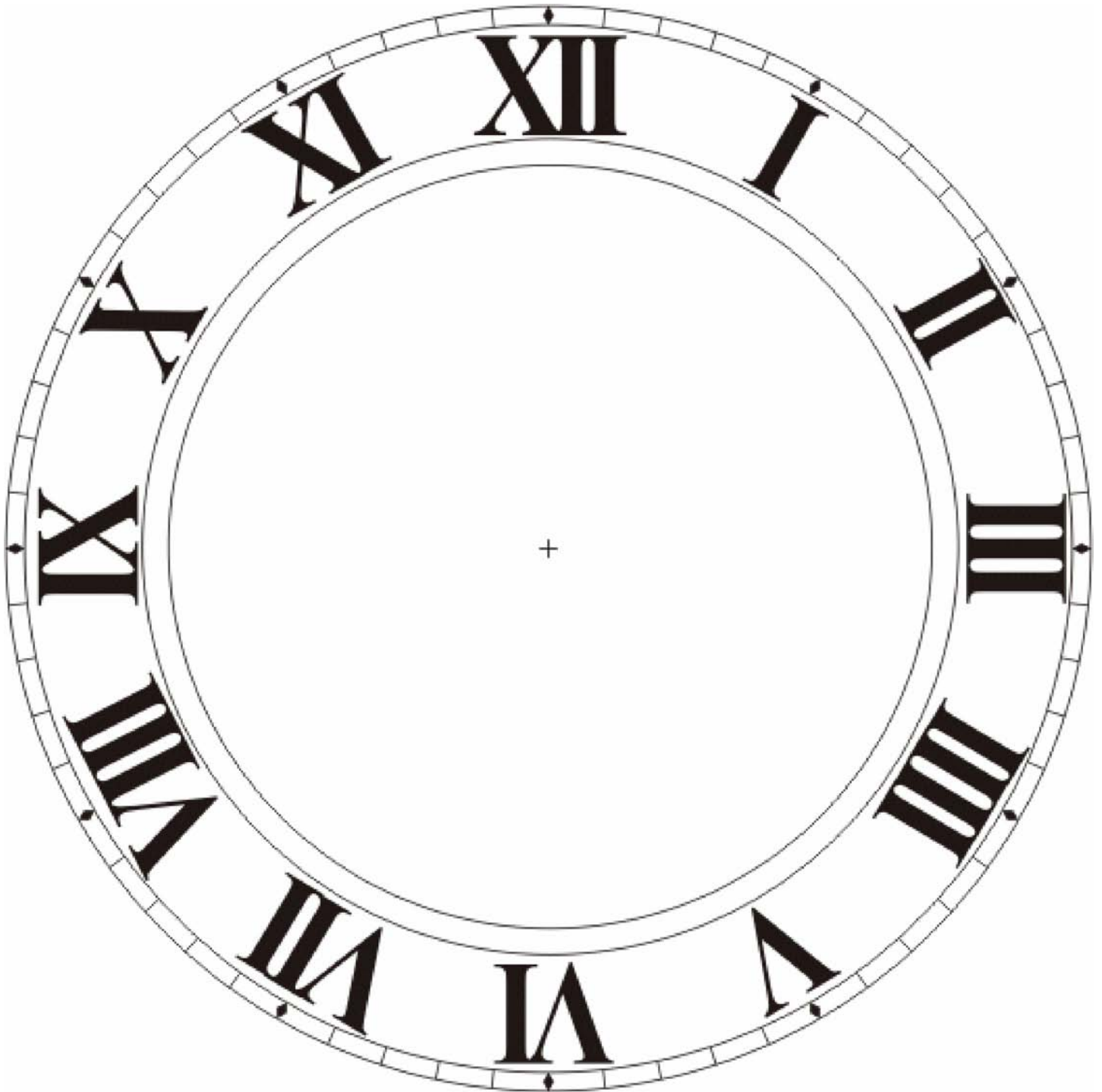


## Materials

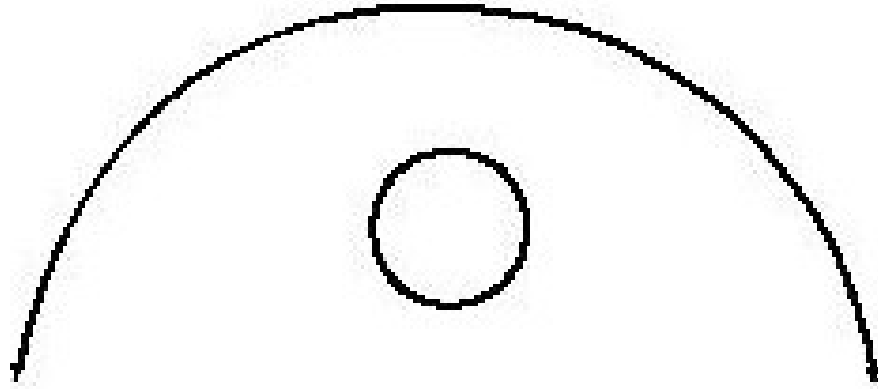
Because Charles builds with what he has available and close to specific dimensions, the following is a ROUGH cut list so that you have something to go by when purchasing and laying out materials for your clocks. THESE ARE NOT FINISHED DIMENSIONS AND WE HIGHLY RECOMMEND YOU **DO NOT CUT THE PIECES BEFORE YOU NEED THEM**. Have available 12 to 15 board feet of lumber for this project.

Qty	Part Description	Width x Length x Thickness
2	Case Sides	4" x 33" x 9/16"
1	Inner Top	4" x 10" x 9/16"
1	Inner Bottom	4" x 10" x 9/16"
1	Outer Top	5" x 12" x 9/16"
1	Outer Bottom	5" x 12" x 9/16"
1	Horizontal Divider	4" x 10" x 9/16"
1	Top Horizontal Divider/Door Stop	4" x 10" x 9/16"
1	Bottom Horizontal Divider/Door Stop	4" x 10" x 9/16"
1	Clock Face Frame	1" x 40" x 3/4"
1	Clock Face Back Board	12" x 12" x 1/4"
1	Bull Nose Molding	1 1/2" x 12" x 9/16"
2	Upper Door Stiles	1 3/4" x 12" x 9/16"
2	Bottom Door Stiles	1 3/4" x 20" x 9/16"
4	Door Rails	1 3/4" x 10" x 9/16"
1	Bottom Door Panel	9" x 18 1/2" x 1/4"
1	Case Back	10" x 34" x 3/8"

**Make Your Own Clock Face**



**Actual Size Pattern for Arch**



## Product Guide

**Lumber:** Tiger Maple/Curly Cherry/Birds Eye Maple

Bob Kloes

[www.bobkloes.com/lumber.htm](http://www.bobkloes.com/lumber.htm)

**Hardware:** Hinges: [Woodcraft Item #03R35](#)  
Hinges: [Horton Brasses Item #HDH4](#)  
  
Brass Knob: [Woodcraft Item #408155](#)  
Brass Knob: [Horton Brasses Item#H94K](#)  
  
Catches: [Woodcraft Item #27H45](#)

**Clockworks:** Mechanical Clockworks: [Klock-It Item #13035](#)  
Quartz Clockworks - no chimes: [Woodcraft Item #3722X](#)  
Quartz Clockworks - chimes: [Woodcraft Item #00045](#)

**Clock Face:** [Woodcraft Item#7414S](#)